

MOTOR CONTROLS

3 PHASE AND SINGLE PHASE MOTOR PUSH BUTTON STARTERS TEC COMPACT STARTERS



DESCRIPTION

TEC Compact Starters are compact 3 phase motor starters. They have an enameled copper wire coil and have finger-safe contacts. These starters are UL 508SB rated. There is an external window indicator that shows contact wear.

FEATURES

- **Compact design**
- **cULus, CE, and UL508 approved**
- **Available with reset or start stop buttons**
- **NEMA 4X enclosed**
- **Single or three phase**
- **Class 10 overloads**



**TEC18-AKSS3-18A
Start/Stop Buttons**

SPECIFICATIONS

Part Number	HORSE POWER - 3PHASE				HORSE POWER - 1PHASE		CONTROL Coil Voltage	Enclosure NEMA Rating	BUTTON Control Type/ Version	CLASS 10 Overload Amp Range	Weight lbs (kg)
	200V	230V	480V	600V	115V	230V					
TEC12-A4XR-8A	2	2.5	7.5	10	1	2	120V/8.5VA**	4X	Reset only	5.5 - 8A	2.3 (1.04)
TEC12-G4XR-8A	2	2.5	7.5	10	1	2	24V/8VA*	4X	Reset only	5.5 - 8A	2.3 (1.04)
TEC12-AKSS3-8A	2	2.5	7.5	10	1	2	120V/8.5VA**	4X	Start/stop	5.5 - 8A	2.3 (1.04)
TEC12-GKSS3-8A	2	2.5	7.5	10	1	2	24V/8VA*	4X	Start/stop	5.5 - 8A	2.3 (1.04)
TEC12-A4XR-13A	3	3	7.5	10	1	2	120V/8.5VA**	4X	Reset only	9 - 13A	2.3 (1.04)
TEC12-G4XR-13A	3	3	7.5	10	1	2	24V/8VA*	4X	Reset only	9 - 13A	2.3 (1.04)
TEC12-AKSS3-13A	3	3	7.5	10	1	2	120V/8.5VA**	4X	Start/stop	9 - 13A	2.3 (1.04)
TEC12-GKSS3-13A	3	3	7.5	10	1	2	24V/8VA*	4X	Start/stop	9 - 13A	2.3 (1.04)
TEC18-A4XR-18A	5	5	10	15	1	3	120V/8.5VA**	4X	Reset only	12 - 18A	2.3 (1.04)
TEC18-G4XR-18A	5	5	10	15	1	3	24V/8VA*	4X	Reset only	12 - 18A	2.3 (1.04)
TEC18-AKSS3-18A	5	5	10	15	1	3	120V/8.5VA**	4X	Start/stop	12 - 18A	2.3 (1.04)
TEC18-GKSS3-18A	5	5	10	15	1	3	24V/8VA*	4X	Start/stop	12 - 18A	2.3 (1.04)
TEC25-A4XR-25A	5	7.5	15	20	2	3	120V/8.5VA**	4X	Reset only	17- 25A	2.7 (1.22)
TEC25-G4XR-25A	5	7.5	15	20	2	3	24V/8VA*	4X	Reset only	17- 25A	2.7 (1.22)
TEC25-AKSS3-25A	5	7.5	15	20	2	3	120V/8.5VA**	4X	Start/stop	17- 25A	2.7 (1.22)
TEC25-GKSS3-25A	5	7.5	15	20	2	3	24V/8VA*	4X	Start/stop	17- 25A	2.7 (1.22)

Other options and models available from manufacturer.

* Surge Current – 70VA

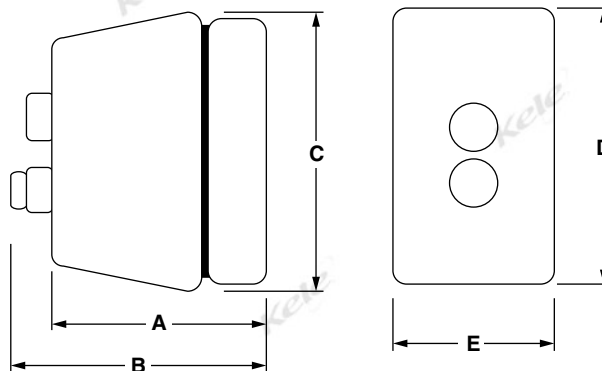
** Surge Current – 100VA

12

MOTOR CONTROLS

DIMENSIONS

	TEC12, TEC18 Starters	TEC25 Starter
A	4.72" (11.98 cm)	5.31" (13.48 cm)
B	5.51" (18.99 cm)	6.10" (15.49 cm)
C	6.54" (16.61 cm)	7.28" (18.49 cm)
D	5.91" (14.98 cm)	6.50" (16.51 cm)
E	3.46" (8.78 cm)	3.98" (10.10 cm)



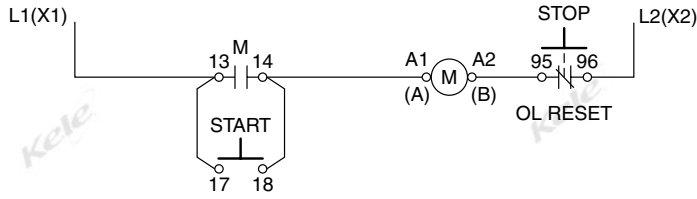


MOTOR CONTROLS

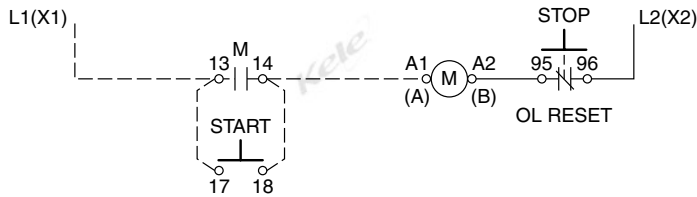
3 PHASE AND SINGLE PHASE MOTOR PUSH BUTTON STARTERS TEC COMPACT STARTERS

WIRING

CONTROL DIAGRAM



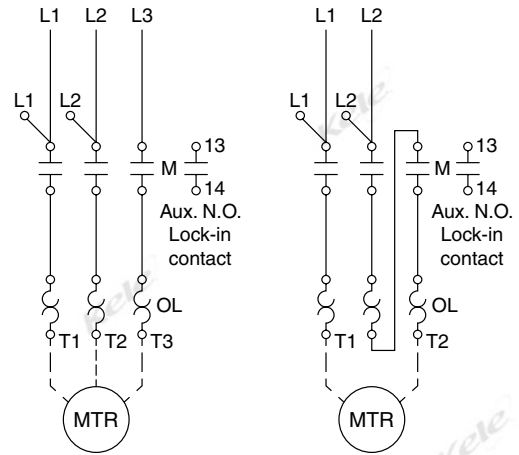
START-STOP PUSHBUTTONS Series TEC...KSS3...*



RESET PUSHBUTTONS Series TEC...4XR... (Reset only)*

--- Dashed lines indicate field connection of reset only or control contact.
*L2 on control circuit should be connected to neutral for 120V control voltage.

POWER DIAGRAM



THREE-PHASE*

SINGLE-PHASE*

ORDERING INFORMATION

MODEL	DESCRIPTION
TEC12	Base unit for 3-phase, 2-10hp depending on motor voltage (see specs)
TEC18	Base unit for 3-phase, 5-15hp depending on motor voltage (see specs)
TEC25	Base unit for 3-phase, 5-20hp depending on motor voltage (see specs)
STEC12	Base unit for single phase, 1-2hp depending on motor voltage (see specs)
STEC18	Base unit for single phase, 1-3hp depending on motor voltage (see specs)
STEC25	Base unit for single phase, 2-3hp depending on motor voltage (see specs)
CONTROL COIL VOLTAGE	
A	120 VAC
G	24 VAC
BUTTON AND WIRING CONFIGURATION	
4XR	Overload Reset / Stop Button
KSS	Start and Stop Buttons
OVERLOAD RELAY SELECTION, MOTOR FLA	
8A	3-Overloads included, 5.5 to 8 amps
13A	3-Overloads included, 9 to 13 amps
18A	3-Overloads included, 12 to 18 amps
25A	3-Overloads included, 17 to 25 amps

TEC12 - A - 4XR - 8A

Example: TEC12-A4XR-8A 3 phase starter with reset button and 8A overload

ACCESSORIES

EEC0.63-1A	Class 10 Overload relay TEC Series/0.63-1 Amps, (replace in groups of 3 recommended)
EEC1-1.6A	Overload relay TEC Series/1-1.6 Amps, (replace in groups of 3 recommended)
EEC1.6-2.5A	Overload relay TEC Series/1.6-2.5 Amps, (replace in groups of 3 recommended)
EEC2.5-4A	Overload relay TEC Series/2.5-4 Amps, (replace in groups of 3 recommended)
EEC4-6A	Overload relay TEC Series/4-6 Amps, (replace in groups of 3 recommended)
EEC7-10A	Overload relay TEC Series/7-10 Amps, (replace in groups of 3 recommended)
EEC12-18A	Overload relay TEC Series/12-18 Amps, (replace in groups of 3 recommended)
EEC17-25A	Overload relay TEC Series/17-25 Amps, (replace in groups of 3 recommended)
PIL-2	Motor starter interface, 300 ms pulse